

TRIUMPH BOARD 86" IFP BLACK G

TECHNICAL SPECIFICATION

EAN: 8592580121586



Display

Diagonal Size:	2174 mm (86")
Resolution:	UHD (3840 × 2160)
Panel Type:	IPS
Backlight:	DLED
Aspect Ratio:	16:9
Display Area:	1895 (H) x 1066 (V) mm
Display Colors:	1.07 B (10 - bit)
Brightness:	400 cd/m2
Contrast:	1200:1 (5000:1 Dynamic)
Response Time:	≤ 8 ms
Refreshing Frequency:	60 Hz
Viewing Angle:	178°/178° (H/V)
Life Time:	50 000 hrs (panel)
Operating Time:	16/7

Computing

Version:	Android 14 & EDLA
CPU:	ARM Cortex-A73x4
GPU:	Mali G52MC1
RAM / ROM:	8 GB / 128 GB
Wi-Fi Module:	Wi-Fi 6, 2.4 / 5 / 6 GHz
Hotspot:	Yes
BT Module:	5.3
OTA Update:	Yes
Light Sensor:	Yes
Device Management:	TeamViewer QuickSupport
UI & Annotation:	4K
NFC Lock:	Optional
PIR Detection:	Optional
Environmental Sensor:	Optional

(Temperature, Humidity, PM2.5, CO2)

Software

Google Play - official pre-installed app store
Environmental Monitoring Widgets (Android / optional)
Note - annotation software under every source (Android)
Bytello Class – educational presentation software (Android)
Bytello Share – wireless content sharing software (Android)
Bytello DMS - remote management software (1-year License)
MobiOffice - easy-to-use cross-platform office suite application (Android)
mozaBook CLASSROOM - educational presentation software (1-year License, Windows / Android)

Inputs and Outputs

OPS PC Slot (80 Pin):	1
HDMI IN:	3 (Front 1x)
HDMI OUT:	1
DP IN:	1
VGA:	1
AUDIO IN:	1
AUDIO OUT:	1
LAN 10/100/1000 Mbps:	2 (RJ45 IN / RJ45 OUT)
S/PDIF:	1
USB Type-C:	2 (Front 1x)*
USB 2.0:	2
USB 3.0:	3 (Front 2x)
TOUCH USB 2.0 (Type B):	3 (Front 1x)
RS232 IN:	1
TF Card Slot:	1

* Video/Audio (DP Alt 3840x2160@60 Hz), Touch, Power Delivery (65W), LAN Network Sharing

Glass

Glass Type:	Anti-Glare Tempered G1S
Thickness:	3 mm
Hardness:	Mohs 7
Bonding Technology:	Zero Bonding Gen 2
Air Gap:	0 mm (center)

Power

Power Requirements:	100-240 V AC 50/60 Hz 4.5A
Power Consumption with OPS:	400 W max
Power Consumption without OPS:	< 176 W
Standby Power Consumption:	≤ 0.5 W

Touch System

Touch Technology:	Infrared Transmission
Number of Touch Points:	40 / Windows & Android
Response Time:	≤ 10 ms
Touch Accuracy:	1 mm
Minimum Touch Object:	3 mm
Writing Height:	≤ 2 mm
Interpolation Resolution:	32768(W)×32768(D)
Touch Tool:	Finger, Stylus, Palm
Compatibility:	Win, Mac, Linux, Android, Chrome

Ambient Conditions

Operation Temperature:	0° - 40°C
Operation Humidity:	10 - 90% RH
Storage Temperature:	-20° - 60°C
Storage Humidity:	10 - 90% RH
Altitude Below:	< 5000 m

Sound System

Speaker Position:	Front
Sound Channel:	2.0
Power Amplify:	2 x 16 W (2 x 20 W max.)

Dimensions

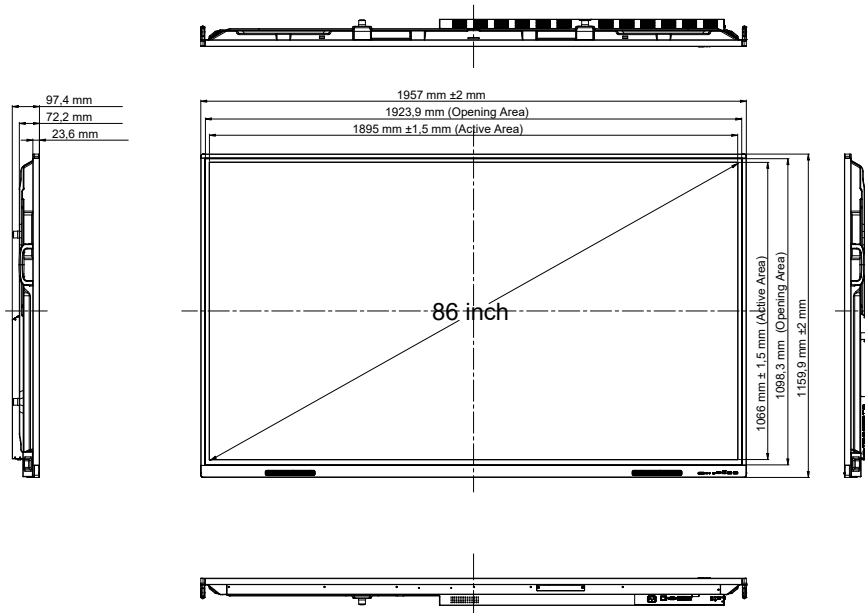
Product Dimensions:	1957 x 1159,9 x 97,4 mm (LxWxD)
Box Dimensions:	2110 x 225 x 1291 mm (LxWxH)
Net Weight:	53,5 kg
Gross Weight:	69,5 kg
Mount System:	VESA 800 x 600

Accessories

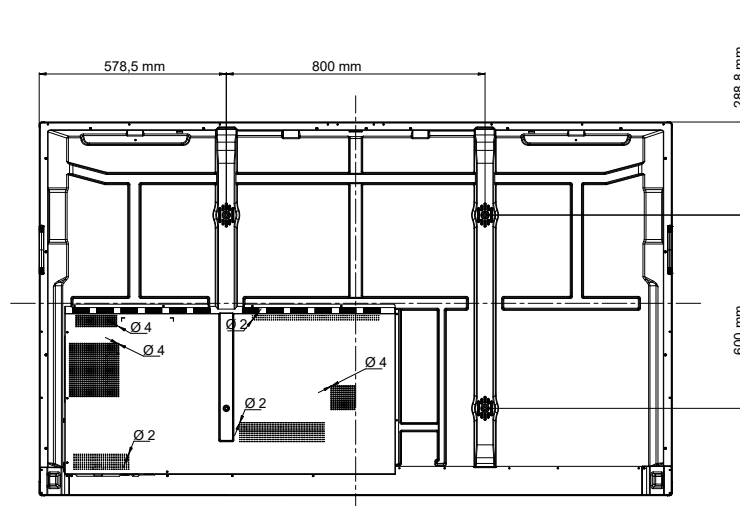
1x HDMI Cable
1x AC Power Cable
1x USB Touch Cable
2x Stylus
1x Remote Control
1x Wall Mount
1x Quick Start Guide
1x Wi-Fi Module

TRIUMPH BOARD reserves the right to change the product specifications without notice.

Front



Back



VESA Mount

